

F-Series Single Pole Toggle Switches



General purpose workhorses with options tailored to meet most any need. Ratings to 20A 277VAC, international approvals, various actuator, bushing, termination, and circuit choices easily integrates into a variety of different applications. The F-Series has a storied history in the Marine, Food Service, Generator, Industrial Control, and Office Automation markets and is appropriate for usage in low voltage DC applications as well.

Dielectric Strength

UL/CSA: 1000V - live to dead metal

Electrical Life

50,000 cycles- maintained
25,000 cycles- momentary

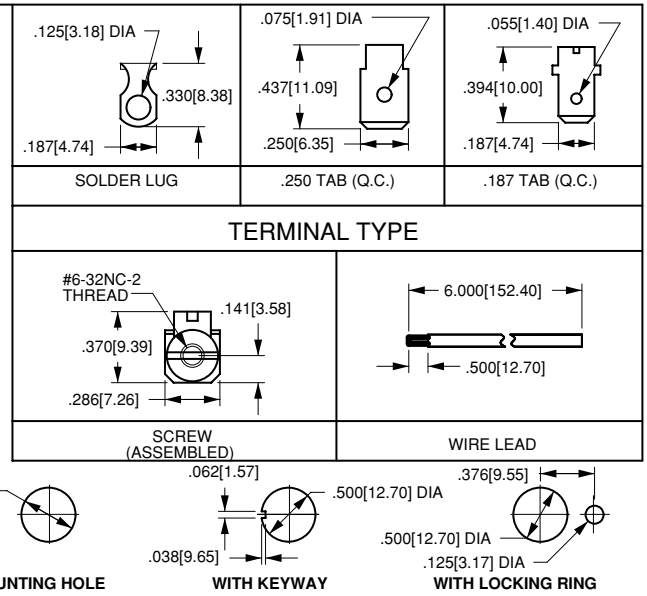
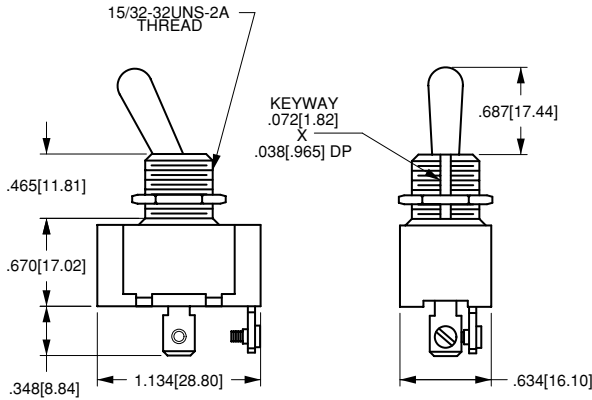
Mechanical Life

100,000 cycles

Operating Temperature

0°F to 150°F (-17.8°C to +65.6°C)

F-Series Dimensional Specifications: in. [mm]



2FA54 - **73** **/TABS**

1 Base Part Number 2 Bat Style .../TABS

1 BASE PART NUMBER: SERIES/CIRCUITRY¹/RATING/TERMINATION²
10A 250VAC, 15A 125VAC, 3/4 HP 125-250VAC

	<i>solder lug</i>	<i>.250 tab</i>	<i>screw term.</i>
ON-NONE-OFF	2FA53	2FA53- . . . /TABS	2FA54
(ON)-NONE-OFF	6FA53	6FA53- . . . /TABS	6FA54
ON-NONE-(OFF)	6FA57	6FA57- . . . /TABS	6FA58
ON-NONE-ON	2FB53	2FB53- . . . /TABS	2FB54
ON-NONE-(ON)	6FB53	6FB53- . . . /TABS	6FB54
ON-OFF-ON	2FC53	2FC53- . . . /TABS	2FC54
ON-OFF-(ON)	6FC57	6FC57- . . . /TABS	6FC58
(ON)-OFF-(ON)	6FC53	6FC53- . . . /TABS	6FC54

2 BAT STYLE TOGGLE

<i>unsealed</i>	<i>sealed</i>	<i>toggle length</i>	<i>bushing length</i>
73	78	0.687	0.465
E3	E8	2.000	0.465

NOTES

1 () indicates momentary function.
2 Consult factory for .187 tab and wire lead termination callouts. Additional toggle options are available. Consult factory for details.